

BasePump Syringes



FEATURES

- > Highest quality PTFE seal material
- > Highest quality borosilicate glass barrels
- > Bores held to extremely tight tolerances

CONFIGURED OPTIONS

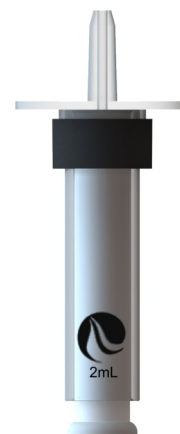
- > Syringe Volumes
 - Diluent (with Valve) - 500 μ L, 2 mL, 5 mL, 10 mL
 - Dual Port Sample - 50 μ L, 250 μ L
 - Single Port Sample - 250 μ L, 500 μ L, 2 mL, 5 mL, 10 mL

OEM OPTIONS

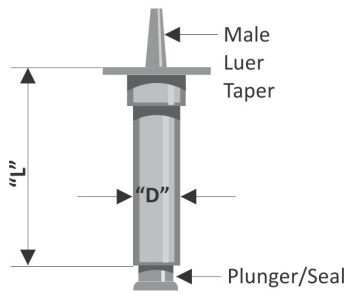
- > Custom configurations possible

BASE MODEL

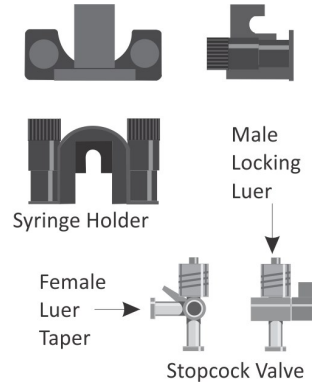
- Diluent
- Dual Port Sample
- Single Port Sample



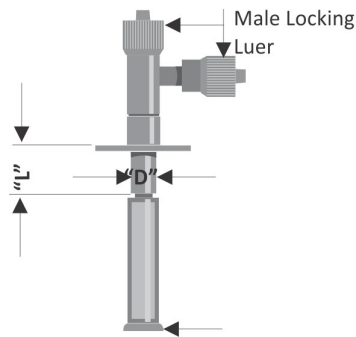
SPECIFICATIONS



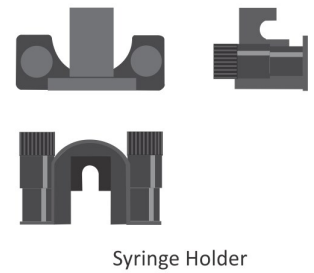
Diluent		
Size	Length	Diameter
500 µL	1.2 in. ±.10 [30.5 mm ±2.5 mm]	.450 [11.4 mm]
2 mL	1.8 in. ±.10 [45.7 mm ±2.5 mm]	.450 [11.4 mm]
5 mL	1.8 in. ±.10 [45.7 mm ±2.5 mm]	.645 [16.4 mm]
10 mL	1.8 in. ±.10 [45.7 mm ±2.5 mm]	.870 [11.4 mm]



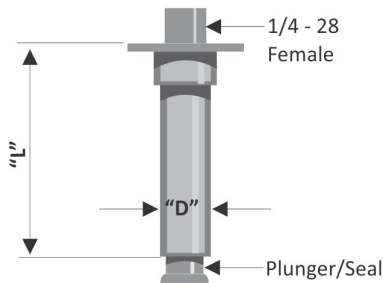
Diluent Syringe (For use with pumps with valves) Designed for use with the TriContinent valve, the polycarbonate valve has luer fittings, one male and one female. One fitting is positioned upward and is typically used for liquid output for ease of priming.



Dual Port Sample		
Size	Length	Diameter
50 µL	.5 in. ± .10 [12.7 mm ±2.5 mm]	.273 [6.9 mm]
250 µL	.5 in. ± .10 [12.7 mm ±2.5 mm]	.273 [6.9 mm]



Dual Port Syringe (For use with pumps without valves) Designed for use as the sampling syringe on a dual-syringe diluter set-up. The adapter is a "T" with the output positioned upward, for priming consideration. This syringe utilizes male luer fittings.



Single Port Sample		
Size	Length	Diameter
250 µL	1.2 in. ±.10 [30.5 mm ±2.5 mm]	.273 [6.9 mm]
500 µL	1.2 in. ±.10 [30.5 mm ±2.5 mm]	.450 [11.4 mm]
2 mL	1.8 in. ±.10 [45.7 mm ±2.5 mm]	.450 [11.4 mm]
5 mL	1.8 in. ±.10 [45.7 mm ±2.5 mm]	.645 [16.4 mm]
10 mL	1.8 in. ±.10 [45.7 mm ±2.5 mm]	.870 [22.1 mm]



Single Port Syringe (For use with pumps without valves) This syringe has a single 1/4-28 female port positioned at the top of the adapter. It is ideal for use with external, customer provided valves. It is also ideal for air displacement applications.

SPECIFICATIONS

How to Select the Correct Syringe Size

Selecting the correct syringe for any particular application is largely a matter of experimentation, however, there is one rule of thumb that should never be ignored. Use the largest syringe capable of giving acceptable results with your smallest desired volume.

Syringe Size					Available Syringe Type		Recommendations	
	Stroke	Resolution 1 step =	Length	Diluent	Single Port Sample	Dual Port Sample	Minimum Sample *	Maximum Flowrate**
50 µL	Short	.05 µL	.656 in. [16.7 mm]	No	No	Yes	1 µL	35 µL/second
250 µL	Short	.25 µL	.656 in. [16.7 mm]	No	Yes	Yes	5 µL	175 µL/second
500 µL	Short	.50 µL	.656 in. [16.7 mm]	Yes	Yes	No	10 µL	350 µL/second
2 mL	Long	1.0 µL	1.312 in. [33.3 mm]	Yes	Yes	No	20 µL	600 µL/second
5 mL	Long	2.5 µL	1.312 in. [33.3 mm]	Yes	Yes	No	35 µL	1 mL/second
10 mL	Long	5.0 µL	1.312 in. [33.3 mm]	Yes	Yes	No	50 µL	1.5 mL/second

* Accuracy and precision will depend on system configuration and integrity.

** Tubing size and probe diameter can substantially reduce these flowrates, if restricted.

SYRINGES FOR BASEPUMP

tricontinent.com



TriContinent by Gardner Denver
 12555 Loma Rica Drive
 Grass Valley, CA 95945
 USA
 Tel: 800-937-4738
 Fax: 530-273-2586
liquidhandling.tcs@gardnerdenver.com

Gardner Denver Thomas GmbH
 Livry-Gargan-Str. 10
 82256 Fürstenfeldbruck
 Germany
 Tel: +49 8141 2280 0
 Fax: +49 8141 8892136
thomas.de@gardnerdenver.com

Gardner Denver Hong Kong, Limited
 Unit 1317-1318 Delta House, 3 On Yiu Street
 Siu Lek Yuen, Shatin, New Territories
 Hong Kong
 Tel: +852 26903502
 Fax: +852 27924598
thomas.hk@gardnerdenver.com

TRICONTINENT
 by Gardner Denver

The information presented in this material is based on technical data and test results of nominal units. It is believed to be accurate and reliable and is offered as an aid to help in the selection of TriContinent products. It is the responsibility of the user to determine the suitability of the product for the intended use and the user assumes all risk and liability in connection there with. TriContinent does not warrant, guarantee or assume any obligation or liability in connection with this information.

Photos of products pictured in this catalog do not necessarily represent a specific model number. To obtain further information for custom options, contact your local TriContinent office.

Printed in USA Form No. MKT90032 A © Gardner Denver TriContinent. All rights reserved.