

# Rotary Valve Controller



## PRODUCT OVERVIEW

- > Designed for applications where an additional integrated pump is not necessary and only for switching of flow paths
- > Compatible with Tricontinent's long-life, high reliability rotary shear valves
- > Easy to swap in to existing applications using industry standard protocols

## FEATURES

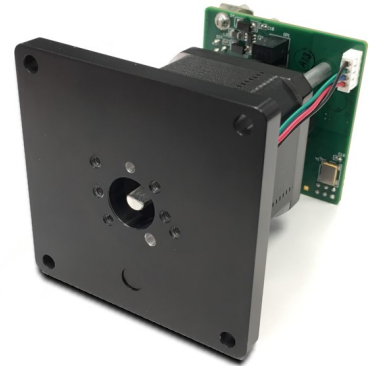
- > Provides precise fluid flow control
- > Compatible with all C-Series rotary shear valves
- > Fast actuation: <250 ms between neighboring ports
- > Address a maximum of 15 controllers individually
- > Long-life and maintenance free drive

## CONFIGURED OPTIONS

- > Custom configurations possible
- > Valve pre-installed
- > Pre-configured for specific valve

## BASE MODEL

Rotary Valve Controller

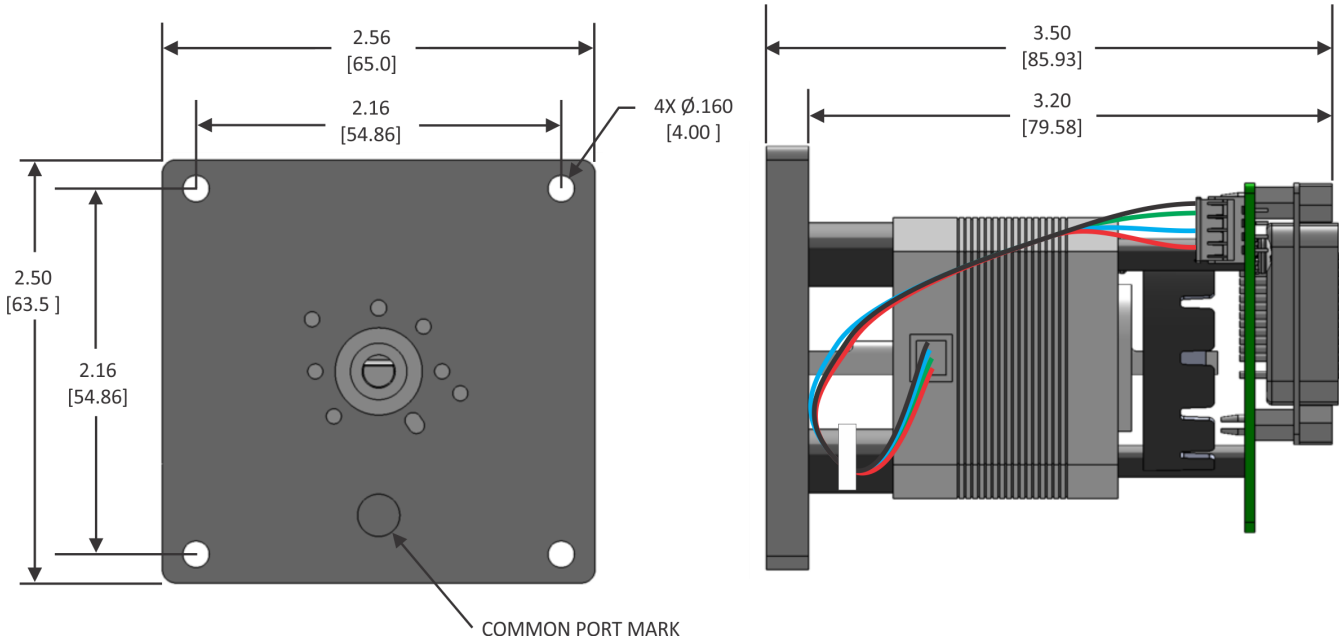


## SPECIFICATIONS

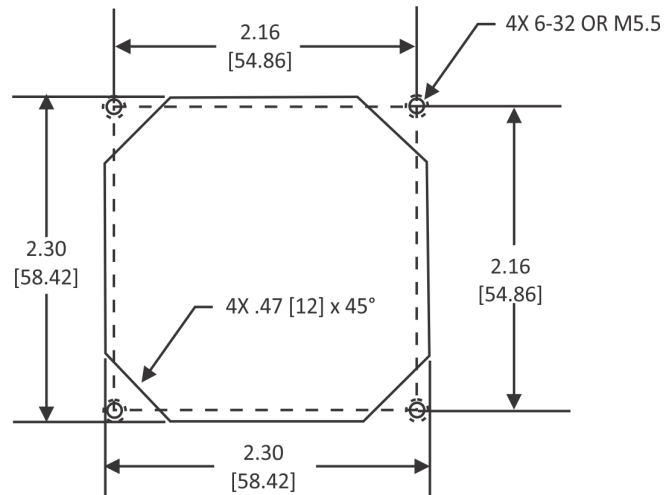
Valve Options Porting Wetted Material Pressure	C-Series Valves 1/4-28 female ports, common port at bottom PEEK or PCTFE body, PTFE or UHMWPE plug 100 PSI maximum
Mechanical Dimensions Interface Weight	2.50 in. x 2.56 in. x 3.5 in. [63.5 mm x 65.0 mm x 89 mm] nominal, without valve 4 each 0.160 in. [4.00 mm] diameter holes 0.8 lbs. (0.36 kg) maximum with valve
Electrical Supply Voltage Current Turn Time	24 VDC 1.5 A peak ~250mS between adjacent ports
Interface Type Communication Rates Protocol Inputs/Outputs Connector	RS232, RS485 or CAN (using industry specific communication protocols) 9600 or 38400 baud (RS232/RS485); 100K, 125K, 250K, 500K, 1M bps (CAN) DT & OEM protocols, valve command interface Two inputs & Three outputs 15 Pin Male DSUB, 4 Pin Header
Format (RS232/RS485)	Data Bits - 8, Parity - None, Stop Bit - 1 Half Duplex, Data Terminal and OEM protocols
Operating Temperature and Humidity	15°C to 40°C (59°F to 104°F) and 20% to 95% RH at 40°C (104°F) non-condensing
Non-Operating Temperature and Humidity	-20°C to 65°C (-4°F to 149°F) and 30% to 85% RH, non-condensing
Media Temperature	15°C to 40°C (59°F to 104°F)

## Mechanical Envelope and Interface

(Dimensions reference only)



## Suggested Panel Mount Features



Note: Dimensions in inches [mm] unless otherwise specified.

ROTARY VALVE CONTROLLER

[tricontinent.com](http://tricontinent.com)



Americas  
Tricontinent  
Scientific, Inc.

12740 Earhart Ave  
Auburn, CA 95602  
USA  
Tel: +1 800 937 4738 or +1 530 273 8888  
[liquidhandling.tcs@irco.com](mailto:liquidhandling.tcs@irco.com)

Asia Pacific  
Gardner Denver Thomas Pneumatic  
Systems (Wuxi), Co., Ltd.  
No. 1 New Dong An Road,  
Shuofang Town  
Wuxi, Xinwu District  
Jiangsu 214142 China  
Tel: +86 510 6878 2258  
[tricontinent.cn@irco.com](mailto:tricontinent.cn@irco.com)

EMEA  
(HEADQUARTERS)  
Gardner Denver Thomas GmbH

Livry-Gargan-Str. 10  
82256 Fürstenfeldbruck  
Germany  
Tel: +49 8141 2280 0  
[thomas.de@irco.com](mailto:thomas.de@irco.com)

**TRICONTINENT**  
An Ingersoll Rand Business

The information presented in this material is based on technical data and test results of nominal units. It is believed to be accurate and reliable and is offered as an aid to help in the selection of Tricontinent products. It is the responsibility of the user to determine the suitability of the product for the intended use and the user assumes all risk and liability in connection there with. Tricontinent does not warrant, guarantee or assume any obligation or liability in connection with this information.

Photos of products pictured in this catalog do not necessarily represent a specific model number. To obtain further information for custom options, contact your local Tricontinent office.

Printed in USA Form No. MKT90037 D © Tricontinent Scientific, Inc. All rights reserved.